



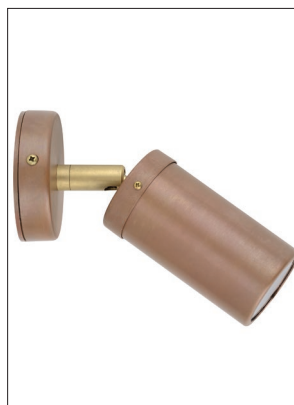
GU10 EXTERIOR WALL PILLAR LIGHTS (Aged Copper)



PGUDCECA



PG1FCECA



PG1ACECA

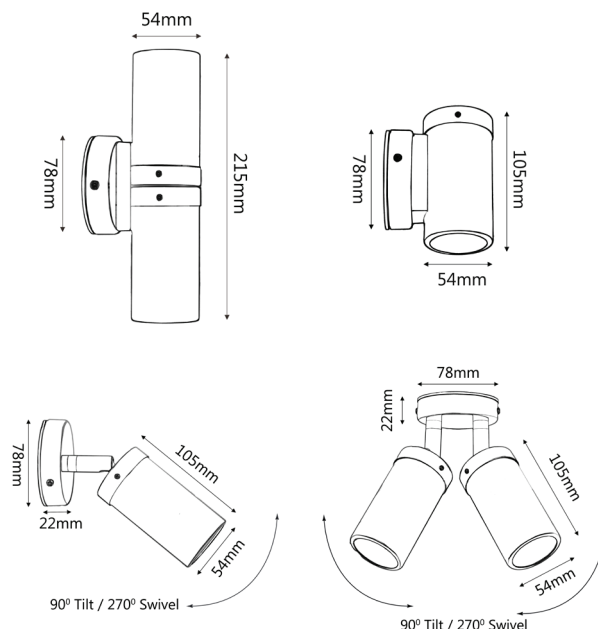
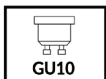


PG2ACECA

Exterior Lighting

PRODUCT FEATURES

- Exterior surface mounted wall lights
- Input voltage range: 110-265V AC 50/60Hz
- Material: copper (light weight)
- Colour: aged copper
- **Anti-glare honey comb louver**
- Lamp holder: GU10 (Max.35W halogen globe)
- Globes not included



Part No.	Description	Lamp Holder	Max. Watt	WEIGHT (KG)	BOX (CM)	CARTON QTY
PGUDCECA	WALL GU10 X 2 PILLAR UP/DN AGED COPPER	2xGU10	2x35W	0.85	23x10x9	1/20
PG1FCECA	WALL GU10 PILLAR FIXED AGED COPPER	1xGU10	1x35W	0.60	12x9x9	1/20
PG1ACECA	WALL GU10 PILLAR S/ADJ AGED COPPER	1xGU10	1x35W	0.60	19x9x9	1/20
PG2ACECA	WALL GU10 X 2 PILLAR D/ADJ RND BASE AGED COPPER	2xGU10	2x35W	0.95	23x11x9	1/20